

PRESENTING WORLD CLASS FURNITURE FITTINGS



neeva
FUTURISTIC FITTINGS



neeva

FUTURISTIC FITTINGS



IN PURSUIT OF EXCELLENCE

Our mission is to produce value added products of utmost standard for quality conscious global markets by utilising the best available knowledge and technology.

In pursuit for global excellence, we have an in-house facility to achieve a consistent and competitive quality product. This platform ensures quality at every process stage to yield the desirable product.

Besides, Avinash Overseas firmly believes in utilizing the best available human resources. In order to achieve its mission, Avinash Overseas is a team of highly skilled dedicated employees involved in designing, developing and manufacturing.

THE AVINASH EDGE

Avinash Overseas wants to earn repute, more than money. No wonder, the dedication for quality runs through every member here.

The uncompromising attitude in quality matters has been acknowledged by even our peers. For we know, meeting the global standard is the pre-requisite to be a global player. And setting a new benchmark an attitude of the winner.

Adherence to the deadline is a habit at Avinash Overseas. For we have clear goals- to be the leading manufacturing & trading for furniture fittings, to set new international trends with our innovation and to ensure utmost customer satisfaction.



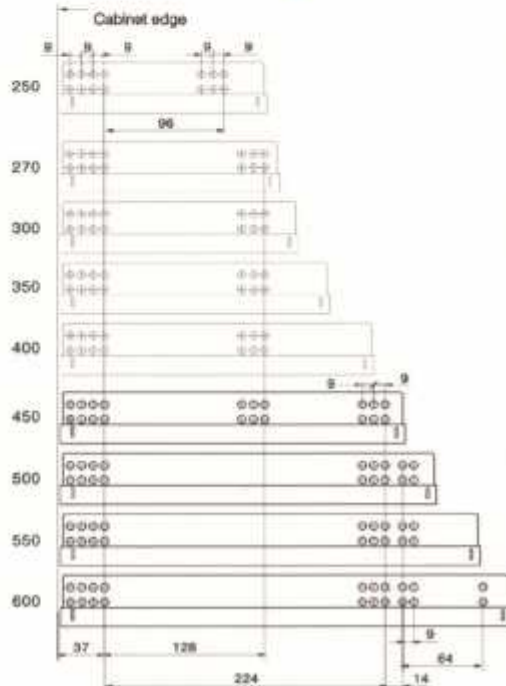
Silent System

N02A Series Partial Extension Push-open Undermount Slides (with locking device)
(Max Drawer Side Thickness: 16mm)

- Load capacity: 25kg
- Finish: Zink plated
- Lengths: 250-600mm
- Partial extension
- Tool free assembly and removal of drawer
- Silent system guarantees smooth run without noise
- Drawer Height Adjustment 0°+3mm

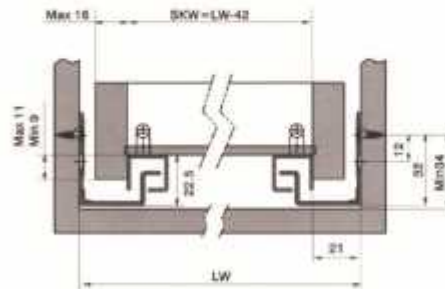


Hole pattern



Installation Dimensions

SKW = Internal Drawer Width LW = Internal Cabinet Width

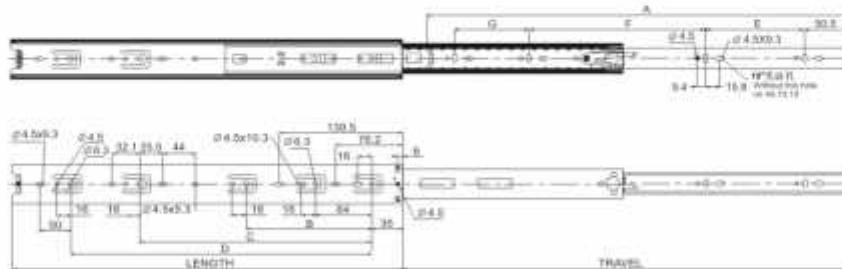
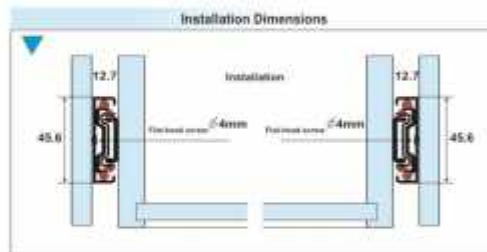




Slide Series

45 Series Full Extension Ball Bearing Slides

- Load capacity: 45kg
- Finish: Blue Zinc plated(B02)
Black(D01)
- Lengths: 250-700mm
- Full extension with stoppers
- Over travel
- Single way travel



Item No.	Length	Travel	Hole Pattern							Packing (units/cdn)
			A	B	C	D	E	F	G	
45.73.10A	250	175.4	147.5	160				160		12
45.73.12A	300	125.4	197.5	224				96	120	12
45.73.14A	350	175.4	147.5	224			224	128	128	12
45.73.16A	400	425.4	397.5	224			288	128	192	12
45.73.18A	450	475.4	447.5	224	352			160	192	12
45.73.20A	500	525.4	497.5		352			192	224	12
45.73.22A	550	575.4	547.5	224	352	416		224	224	12
45.73.24A	600	625.4	597.5	224	352	480		224	288	12
45.73.26A	650	675.4	647.5	224	352	540		192	224	160
45.73.28A	700	725.4	697.5	384	512	576	224	192	224	192



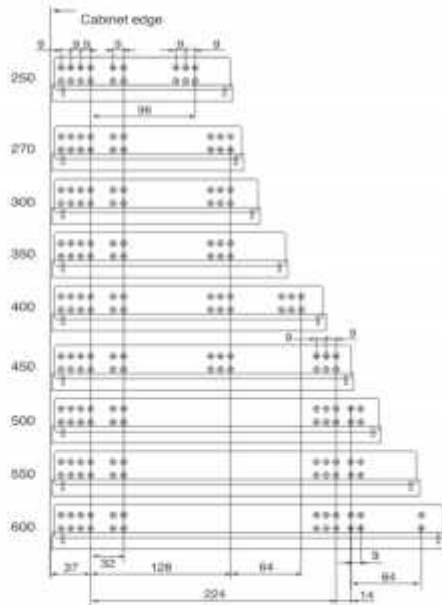
Silent System

NBDC Series Partial Extension Under mount Slides (with locking device and damper)
(Max Drawer Side Thickness: 19mm)

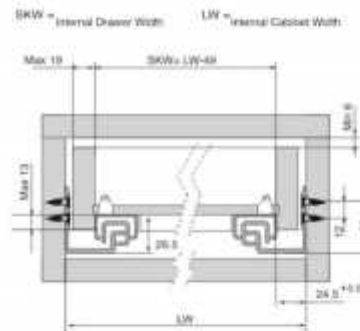
- Load capacity: 25kg
- Finish: Zinc plated
- Lengths: 250-600mm
- Full extension
- Tool free assembly and removal of drawer
- Silent system guarantees smooth run without noise
- Drawer Height Adjustment 0⁺±3mm



Hole pattern



Installation Dimensions





Silent System

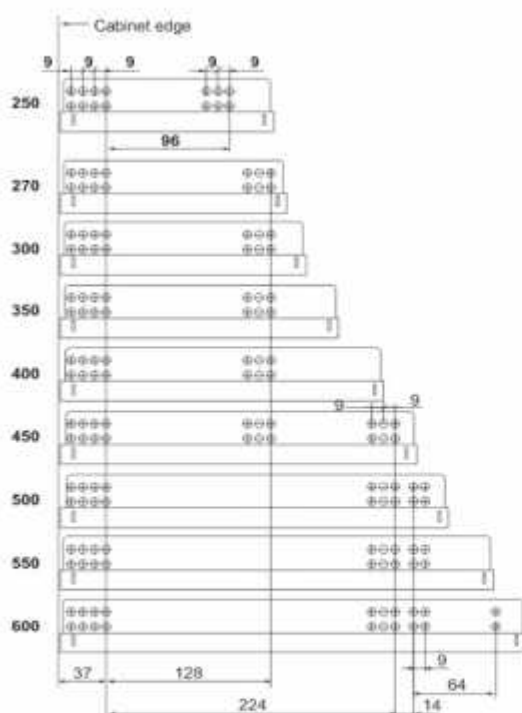
N80C Series Full Extension Undermount Slides (with locking device and damper)
(Max Drawer Side Thickness:19mm)



- Load capacity: 25kg
- Finish: Zinc plated
- Lengths: 250-600mm
- Partial extension
- Tool free assembly and removal of drawer
- Silent system guarantees smooth run without noise
- Drawer Height Adjustment: 0⁺+3mm



Hole pattern



Installation Dimensions

SKW* Internal Drawer Width LW* Internal cabinet Width

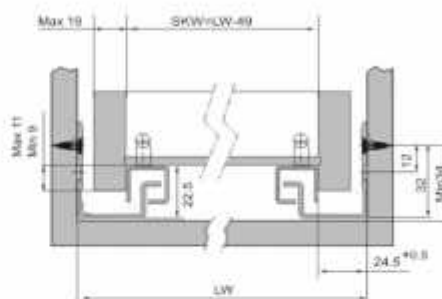




Table Extension



N - 002
Ball Bearing Table Slide

- Ball bearing table slide
- Size:550mm-800mm
- Load Rating:50Kg(30")
- Material:1.3mm Cold Board
- Finish:Electrophoresis
- Color:Black
- Package:10Sets/Cartron(Without Screw)

Legs

For office system



Material	Size	Item
Plastic, Metal & Stainless Steel	50mm	PLC
Plastic, Metal & Stainless Steel	75mm	PLC
Plastic, Metal & Stainless Steel	100mm	PLC



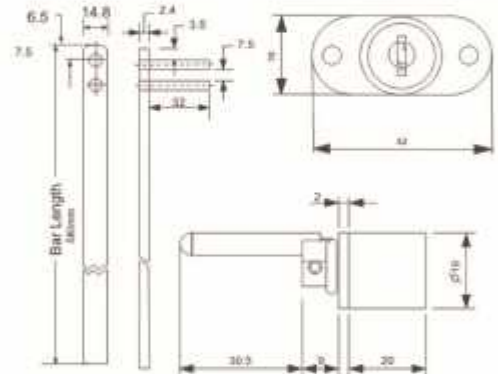
Lock Series

Multi - Drawer Lock with computer key for office System

Finish: Satin Nickel



Keys: Two Computer keys, One Management Key, One Removable Key



Drawer Lock for Office & Kitchen System



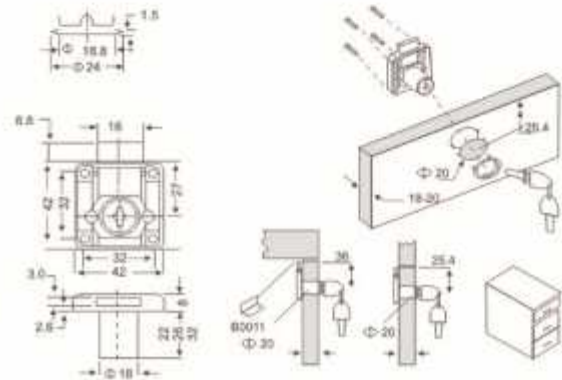
Model No. : L 1237

Keys: Two Computer keys, One Management Key, One Removable Key

Model No. : L 1236



With Normal Key



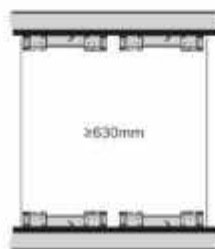


Flagship Roller 3 Series

FLAGSHIP ROLLER 3-M (WOOD DOORS) ACCESSORIES OPTIONS

Top Wheel		CJ21259B	Light-Duty
		CJ21259A	Normal
		CJ21259C	Heavy-Duty
Bottom Wheel		CJ21260B	Light-Duty
		CJ21260A	Normal
Under Invisible Sliding Big Roller for Wooden Door			Under Invisible Sliding Big Roller for Wooden Door

Accessories minutes combined installation



A. Luxury



B. Practical



C. Economic



Cabinet Handle Series

AN - Apple



Size : 64, 96, 128, 160, 224, 288(mm)
Material : Zinc Alloy
Finish : SN

KN - 129



Size- 96, 128(mm)
Material : Zinc
Finish : SN

AN - No. 120



Size : 128, 160, 224, 288(mm)
Material : Zinc Alloy
Finish : SN

AN - IBM



Size : 96, 128, 160, 288(mm)
Material : Zinc Alloy
Finish : SN

AN - IKONE



Size : 96, 128, 160, 288(mm)
Material : Zinc Alloy
Finish : SN

AN - Round Knob



Small / Big

AN - New Olympic



Size : 96, 160, 224, 288(mm)
Material : Zinc Alloy
Finish : SN



Cabinet Handle Series/Hinge

K 234



Size : 128 (mm)
Material : Zinc
Finish : Chrome

K 159



Size : 96, 128 (mm)
Material : Zinc
Finish : Chrome

Deco Pannel



Material : ABS

Deco Pannel



Material : ABS

Invisible Hinge



Material : Zinc Alloy + Stainless Steel
Finish : Santin Chrome

AN - Banana



Size : 96, 128, 160, 224, 288, 352 (mm)
Material : Zinc Alloy
Finish : SN

AN - Kites



Size : 96, 160, 224, 288(mm)
Material : Zinc Alloy
Finish : SN

AN - No. 126



Size : 96, 128, 160(mm)
Material : Zinc Alloy
Finish : SN



Furniture Fittings Accessories

Wardrobe Rail Support



Material : Zinc Alloy
Finish : Zinc, Nickel

By-Fold Lift System



Features : High Quality cold-rolled steel
Hi-tech processing technology and surface
electroplating intermatic

Gas Spring



Table Corner



H-60 L-150
H-115 L-150

Designer Leg



Material : Plastic
H-100 L-120

Designer Cable Manager



Material : Zinc
Finish : Chrome / White

KN-168



Size : 32
Material : Zinc
Finish : SN

KN-703



Size : 64
Material : Zinc
Finish : SN



Furniture Fittings Accessories

Hydraulic Flap Stay



Material : Aluminium Alloy, Iron, Plastic
Finish : Nicked Plated, Paint
Feature : High Quality Cold-rolled

Cable Manager



Finish : White, Black, Grey
Weight : Plastic

Wardrobe Rail



Material : Aluminium, Plastic
Finish : Black / Silver

N-Catcher



Material : Iron
Finish : Bronzite, Zinc

Cable Manager



Finish : Black, White, Grey
Material : Plastic

Normal Hydraulic Stay



Material : Chrome Plated
Feature : High Density Zinc
Alloy Cast Part Hi-Tech
Processing Technology and
Surface Eceltric

Wardrobe Rail





Fitting Accessories



Model : Gas Spring
Finish : Power Coated / Nickel
Load Capacity : 12-15 Kg



Model : C-Type
Finish : Double-Tone
Size : 96,128mm



Model : C-Type
Finish : Chrome
Size : 96,128mm



Model : C-Type
Finish : Mat
Size : 96,128mm



Model : Oval
Finish : SS
Size : 96,128mm



Model : 120
Finish : SS
Size : 96,128mm



Model : HR-599
Finish : 55
Size : 96,128mm



Model : S-Boxer
Finish : SS
Size : 96,128mm



Model : DH
Finish : SS
Size : 96,128mm



Accessories

Fittings for furniture & interiors



Model : Magnetic Catcher
Finish : Satin Nickel / Antique
Size : Middle



Model : C Type Handle
Finish : Satin Nickel
Size : 96mm (Hole to hole)



Model : Buffer
Finish : White
Size : 3mm



Model : Knob
Finish : White / Brown
Size : 30mm
Style : Oval



Model : Chest Handle
Finish : Satin Nickel
Size : 96mm



Model : Knob
Finish : White / Brown
Size : 30mm
Style : Round



Model : D Type Handle
Finish : Satin Nickel
Size : 75mm, 96mm, 150mm



Model : Crystal Knob
Finish : White
Size : 36mm
Style : Hexagon

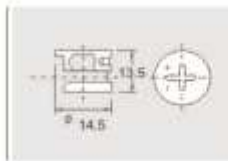


Connecting Fittings

Dowel / Mini-Fix / Rapid



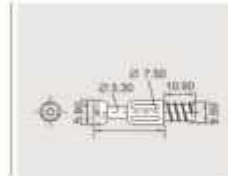
Board thickness 18mm



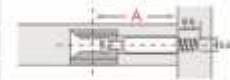
Material	Finish	Item no.
Zinc alloy	Nickel plated	51304
Zinc alloy	Zinc plated	15019
Zinc alloy	Nickel plated	15025
Decorative with colored flange	Nickel plated	15045



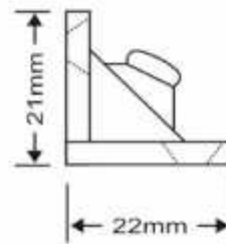
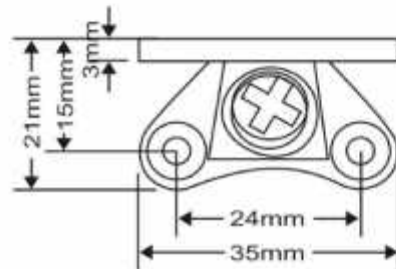
M6 Steel bolt in plastic self-driven



Material	Drilling distance	Item no.
Plastic & steel	A=25	8025
Plastic & steel	A=26	8030
Plastic & steel	A=28	8029
Plastic & steel	A=32	8032
Plastic & steel	A=34	8034



Connector



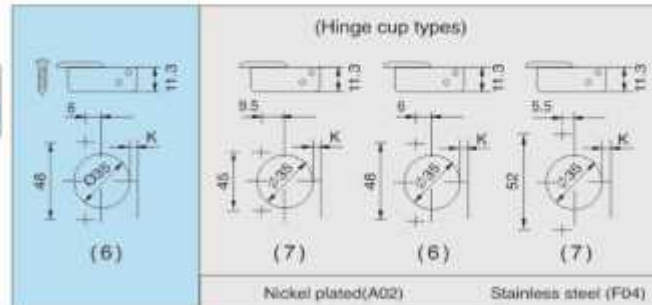


Hinge Series

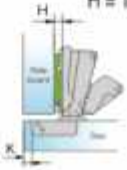

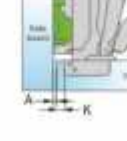
Concealed Hinges
(slide-on) hinges 165°
Fast-Assembly concealed hinge



Opening angle : 165°
Depth of hinge cup : 11.3 mm
Diameter of hinge cup : 35 mm
Possible drilling distances on the door(K) : 3-8 mm
Range of door thickness : 14-26 mm



Series(snap-on, cam adjustable)hinges 165°

		(Hinge cup types)	
		Nickel plated(A02)	Stainless steel (F04)
Full overlay C=0 	$H = 14 + K - D$	Item No.	Pcs/cbn
		Sprung	100
		Unsprung	A98A606
Half overlay C=10 	$H = 4 + K - D$	Item No.	Pcs/cbn
		Sprung	100
		Unsprung	A98B606
Inset C=14 	$H = 0 + K - A$	Item No.	Pcs/cbn
		Sprung	100
		Unsprung	A98C606

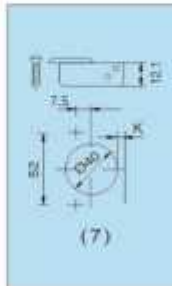


Hinge Series

Concealed Hinges
(slide-on) hinges 95°
Fast-Assembly concealed hinge



Opening angle : 95°
Depth of hinge cup : 12.1 mm
Diameter of hinge cup : 40 mm
Possible drilling distances on the door(K) : 3-15 mm
Range of door thickness : 20-40 mm



Series Ø40mm (snap-on, cam adjustable) hinges 95°

Inset C=22.5



Half overlay C=9



Full overlay C=0



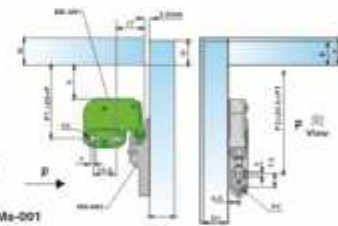
	Nickel plated(A02)	Stainless steel (F04)
	Item No.	Pcs/ctn
Sprung	D98A697	200
Unsprung	AD98A697	200
Push-open	FD98A697	200
	Item No.	Pcs/ctn
Sprung	D98B697	200
Unsprung	AD98B697	200
Push-open	FD98B697	200



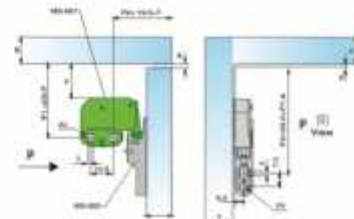
S — Top Panel Thickness
T — Door Thickness
D — Door Overlay on Cabinet Top Panel
D1 — Door Overlay on Cabinet Side Panel

Full Overlay & Half Overlay

P — Customized Position (Recommended to be Located at 1/3 or 1/2 of Door Height)
P 1 — Assembly Screw Position of Ms-001
P 2 — Assembly Screw Position of Ms-002



Inset
S — Top Panel Thickness
T — Door Thickness
A — Gap Between Upper Door Edge and Cabinet Top Panel
P — Customized Position (Recommended to be Located at 1/3 or 1/2 of Door Height)
P 1 — Assembly Screw Position
P 2 — Assembly Screw Position
P 3 — Assembly Screw Position





Hinge Series

Concealed Hinges
(slide-on) hinges 110°
Fast-Assembly concealed hinge

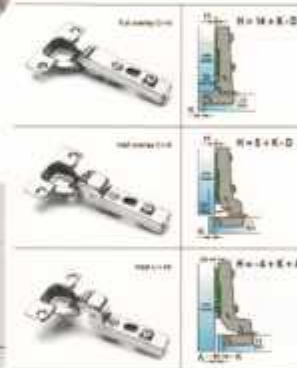
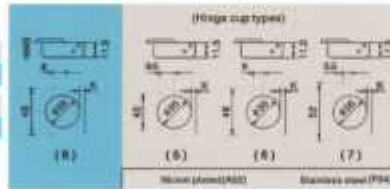


Opening angle : 110°
Depth of hinge cup : 11.3mm
Diameter of hinge cup : 35mm
Possible drilling distances
on the door(K) : 3-7mm
Range of door thickness : 14-24mm

Options of screws and dowels



Series (slide-on) hinges 110°



	Item No.	Pair/ctn
Sprung	C89A276	100
Unsprung	A89A276	100
Push-open	F89A276	100

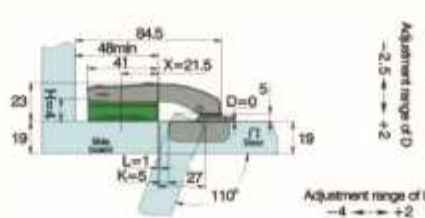
	Item No.	Pair/ctn
Sprung	C89B276	100
Unsprung	A89B276	100
Push-open	F89B276	100

	Item No.	Pair/ctn
Sprung	C89C276	100
Unsprung	A89C276	100
Push-open	F89C276	100

Concealed Hinges
(slide-on) hinges 90°
Fast-Assembly concealed hinge



90°



	Item No.	Pair/ctn
Sprung	C89J276	100
Unsprung	A89J276	100



Silent System

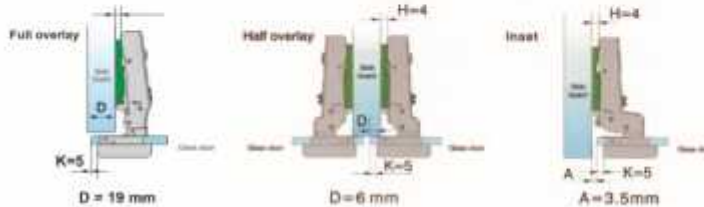
Clip-on high quality hinge with integrated dampening.
Sensys.



Opening angle : 110°
Depth of hinge cup : 11mm
Diameter of hinge cup : 35mm
Possible drilling distances on the door(K) : 4-8mm
Range of door thickness : 4-6mm

Application case of ø35mm hinge

H=height of mounting plate
D=required door overlay
K=drilling distance from the edge of door to the edge of the hole
A=gap between door and side board

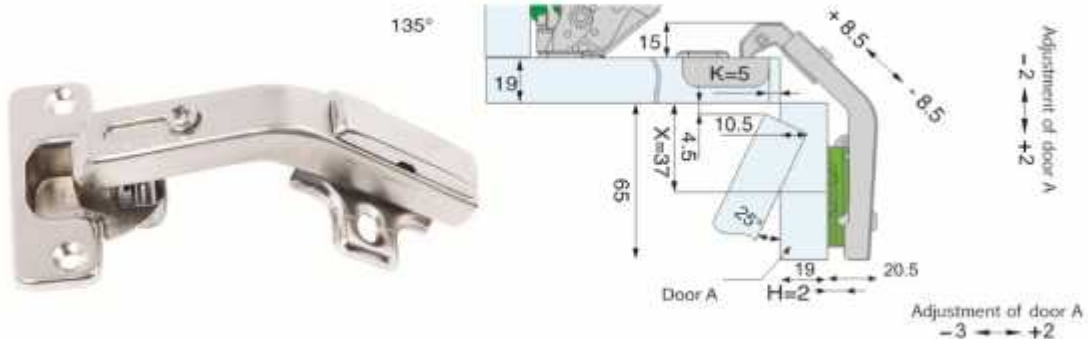


Item No.	Pair/ctn
Soft-close CR5A6A0F	50
Sprung CR5A6A0	50
Unsprung AB5A6A0	50

Item No.	Pair/cto
Soft-close CR5B6A0F	50
Sprung CR5B6A0	50
Unsprung AB5B6A0	50

Item No.	Pair/ctn
Soft-close CR5C6A0F	50
Sprung CR5C6A0	50
Unsprung AB5C6A0	50

High Quality Hinge 135°





Silent System

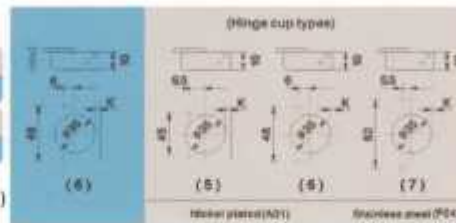
Clip-on high quality hinge with integrated dampening.
Sensys.



Opening angle : 110°
 Depth of hinge cup : 10mm
 Diameter of hinge cup : 42mm
 Possible drilling distances on the door(K) : 3-7mm
 Range of door thickness : 14-24mm



Options of screws and dowels:



Series soft-close (snap-on, cam adjustable) hinges 110° with integrated damper

	Item No.	Pair/ctn
Soft-close	C85A6A6F	50
Sprung	C85A6A6	50
Unsprung	A85A6A6	50
Push-open	F85A6A6	50

	Item No.	Pair/ctn
Soft-close	C85B6A6F	50
Sprung	C85B6A6	50
Unsprung	A85B6A6	50
Push-open	F85B6A6	50

	Item No.	Pair/ctn
Soft-close	C85C6A6F	50
Sprung	C85C6A6	50
Unsprung	A85C6A6	50
Push-open	F85C6A6	50



Drawer System with Silent Feature

M01 Series 83mm Double-wall drawer system (M height:Medium Inner Drawer)



- Concealed, full extension.
- Dynamic load capacity:40kg.
- Finish:White(E01), silver grey(E18), stainless steel(F04).
- Tool free assembly and removal of drawer.
- Silent system guarantees smooth run without noise.



Kit package

Nominal Length NL	Item No.	Set/ctn
250 mm	N 350B	1
400 mm	N 400B	1
450 mm	N 450B	1
500 mm	N 500B	1
550 mm	N 550B	1



Slides left/right

Industrial package	Item No.	Set/ctn
Pre- zinc steel(F02)	N 350H	5
	N 400H	5
	N 450H	5
	N 500H	5
	N 550H	5



Drawer Sides and Cover Caps left/right

Industrial package	Item No.	Set/ctn
White(E01) Silver Grey (E18) Stainless steel(F04)	N 350	5
	N 400	5
	N 450	5
	N 500	5
	N 550	5



Side Rails left/right

Nominal Length NL	Item No.	Set/ctn
250 mm	N 041350	60
400 mm	N 041400	60
450 mm	N 041450	60
500 mm	N 041500	60
550 mm	N 041550	60



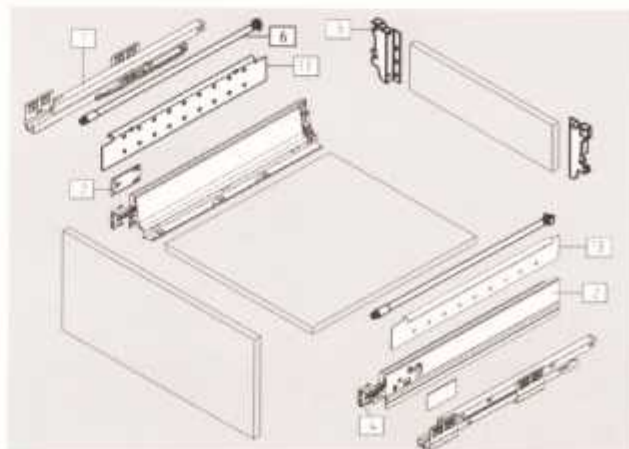
Back fixing brackets left/right

White(E01) Silver Grey (E18) Chrome Plated(C01)	Item No.	N 032	Set/ctn	40
---	----------	-------	---------	----



Front fixing brackets

Zinc plated(B01) Nickel plated(A02)	Screw-on	Item No.	N 013	Set/ctn	120
	Press-in	Item No.	N 016	Set/ctn	120





avinash *a* overseas

Tel. : 0091-11-45669303

Fax : 0091-1145669304

Customer Care : 9910096312

E-mail : avinashoverseas@yahoo.co.in

nn.neeva@gmail.com

Website : www.neeva.in